

Hy-Lok



110P Series Push Turn Ball Valves



Design and Engineering

- Maximum operating pressure of 1000psig(6.895MPa) @100°F(38°C) with reinforced PTFE
- Low torque for easy operation
- Normally open type (N.O) and Normally close type (N.C)
- Locked normal position (open or close) for safety
- 100% factory tested before shipment

Application

- Chemical plants, Refineries, Steel mills, Fuel lines, Heavy vehicles, Semiconductor.

По вопросам продаж и поддержки обращайтесь:

Волгоград +7 (8442) 45-94-42
Екатеринбург +7 (343) 302-14-75
Ижевск +7 (3412) 20-90-75
Казань +7 (843) 207-19-05

Краснодар +7 (861) 238-86-59
Красноярск +7 (391) 989-82-67
Москва +7 (499) 404-24-72
Ниж.Новгород +7 (831) 200-34-65

Новосибирск +7 (383) 235-95-48
Омск +7 (381) 299-16-70
Пермь +7 (342) 233-81-65
Ростов-на-Дону +7 (863) 309-14-65

Самара +7 (846) 219-28-25
Санкт-Петербург +7 (812) 660-57-09
Саратов +7 (845) 239-86-35
Сочи +7 (862) 279-22-65

сайт: hylok.pro-solution.ru | эл. почта: hky@pro-solution.ru
телефон: 8 800 511 88 70

Table of Dimensions

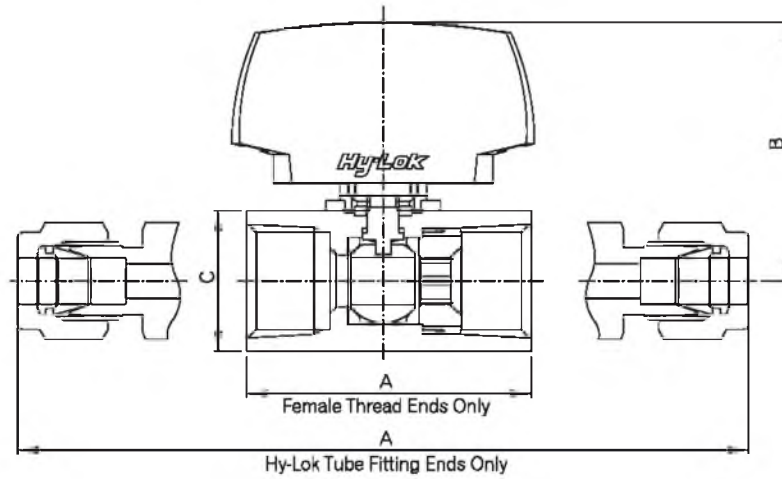
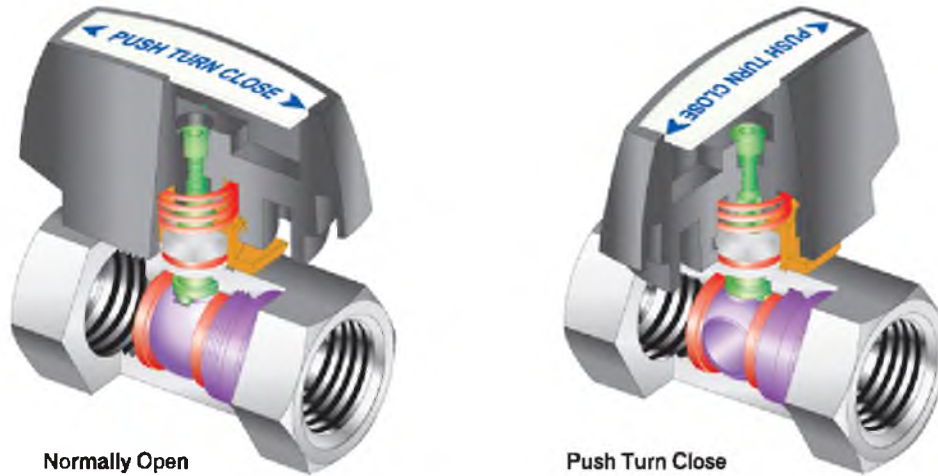
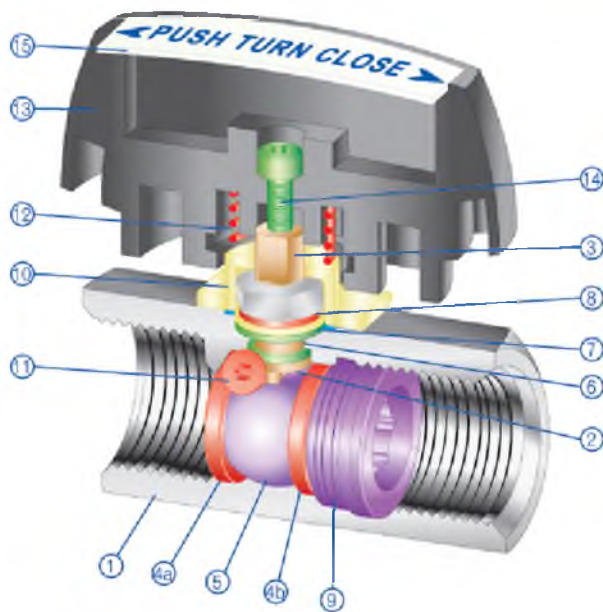


Table of Dimensions

Basic PartNo.	Orifice	Cv	End Connection	Dimensions			Weight (kg)
				A	B	C(Hex.)	
BPTVF - 10M	7.5	4.2	Both End	A	45	20.6	0.22
BPTVH - 6T			10mm Hy-Lok	90.0			
BPTVF - 6N			3/8" Hy-Lok	90.0			
BPTVH - 12M	9.0	6.5	3/8" FemaleNPT	45.0	50	27.0	0.13
BPTVH - 8T			12mm Hy-Lok	99.0			0.34
BPTVF - 8N			1/2" Hy-Lok	99.0			0.34
BPTVF - 16M	12.5	8.0	1/2" FemaleNPT	54.5	53	32.0	0.21
BPTVH - 10T			16mm Hy-Lok	109.0			0.49
BPTVF - 12N			8/5" Hy-Lok	109.0			0.49
BPTVH - 12T	16.0	25.0	3/4" FemaleNPT	61.0	55	38.0	0.33
BPTVH - 16T			3/4" Hy-Lok	110.0			0.57
BPTVF - 16N			1" Hy-Lok	134.0			0.85
			1" Female NPT	76.0			0.60

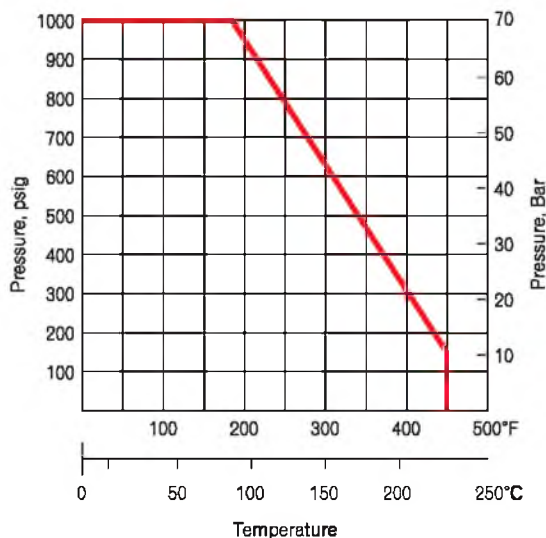
All dimensions are in millimeters. Dimensions shown with Hy-Lok nut in finger-tight position, where applicable.



Material of Constructions

No.	Description	Grade / ASTM Specification
1	Body	SS316 Brass
2	Inner Packing	Reinforced PTFE
3	Stem	SS316 / A479
4a	Seat #1	Reinforced PTFE
4b	Seat #2	Reinforced PTFE
5	Ball	SS316 / A479
6	Outer Packing	Reinforced PTFE
7	Gland	SS316
8	Nut	SS316
9	Insert	SS316 / A479
10	Stopper	SS316
11	Screw	SS304
12	Spring	SS304
13	Handle	Dielectric Nylon (Black Color)
14	Bolt	SS304
15	Handle Cover	Aluminum

Pressure and Temperature Rating



Ordering Information

BPTV (VALVE TYPE) | **F** (END CONNECTION) | **8N** (NPT) | **NO** (HANDLETYPE) | **S316** (BODY MATERIAL)

VALVE TYPE
END CONNECTION
 H : Hy-Lok Fitting
 F : Female Pipe Thread

NPT (ISO / BSP)

Thread (in.)	3/8	1/2	3/4	1
Designator	8N(R)	8N(R)	12N(R)	16N(R)

TUBE

Functional Tube	O.D(in)	3/8	1/2	5/8	3/4	7/8	1
	Designator	8T	8T	10T	12T	14T	16T
Metric Tube	O.D(mm)	10	12	15	16	22	25
	Designator	10M	12M	15M	16M	22M	25M

BODY MATERIAL
 S316 : 316 Stainless Steel
 BRAS : Brass

HANDLETYPE
 NO: Normally Open
 NC: Normally Close

SAFETY in VALVE SELECTION

Proper installation, material compatibility, operation and maintenance of the valves is the responsibility of the user. The total system design must be taken into consideration to ensure optimal performance and safety.

По вопросам продаж и поддержки обращайтесь:

Архангельск +7 (8182) 45-71-35	Калининград +7 (4012) 72-21-36	Новороссийск +7 (8617) 30-82-64	Сочи +7 (862) 279-22-65
Астана +7 (7172) 69-68-15	Калуга +7 (4842) 33-35-03	Новосибирск +7 (383) 235-95-48	Ставрополь +7 (8652) 57-76-63
Астрахань +7 (8512) 99-46-80	Кемерово +7 (3842) 21-56-70	Омск +7 (381) 299-16-70	Сургут +7 (3462) 77-96-35
Барнаул +7 (3852) 37-96-76	Киров +7 (8332) 20-58-70	Орел +7 (4862) 22-23-86	Сызрань +7 (8464) 33-50-64
Белгород +7 (4722) 20-58-80	Краснодар +7 (861) 238-86-59	Оренбург +7 (3532) 48-64-35	Сыктывкар +7 (8212) 28-83-02
Брянск +7 (4832) 32-17-25	Красноярск +7 (391) 989-82-67	Пенза +7 (8412) 23-52-98	Тверь +7 (4822) 39-50-56
Владивосток +7 (4232) 49-26-85	Курск +7 (4712) 23-80-45	Первоуральск +7 (3439) 26-01-18	Томск +7 (3822) 48-95-05
Владимир +7 (4922) 49-51-33	Липецк +7 (4742) 20-01-75	Пермь +7 (342) 233-81-65	Тула +7 (4872) 44-05-30
Волгоград +7 (8442) 45-94-42	Магнитогорск +7 (3519) 51-02-81	Ростов-на-Дону +7 (863) 309-14-65	Тюмень +7 (3452) 56-94-75
Воронеж +7 (4732) 12-26-70	Москва +7 (499) 404-24-72	Рязань +7 (4912) 77-61-95	Ульяновск +7 (8422) 42-51-95
Екатеринбург +7 (343) 302-14-75	Мурманск +7 (8152) 65-52-70	Самара +7 (846) 219-28-25	Уфа +7 (347) 258-82-65
Иваново +7 (4932) 70-02-95	Наб.Челны +7 (8552) 91-01-32	Санкт-Петербург +7 (812) 660-57-09	Хабаровск +7 (421) 292-95-69
Ижевск +7 (3412) 20-90-75	Ниж.Новгород +7 (831) 200-34-65	Саранск +7 (8342) 22-95-16	Чебоксары +7 (8352) 28-50-89
Иркутск +7 (3952) 56-24-09	Нижевартовск +7 (3466) 48-22-23	Саратов +7 (845) 239-86-35	Челябинск +7 (351) 277-89-65
Йошкар-Ола +7 (8362) 38-66-61	Нижнекамск +7 (8555) 24-47-85	Смоленск +7 (4812) 51-55-32	Череповец +7 (8202) 49-07-18
Казань +7 (843) 207-19-05			Ярославль +7 (4852) 67-02-35

сайт: hylok.pro-solution.ru | эл. почта: hky@pro-solution.ru

телефон: 8 800 511 88 70